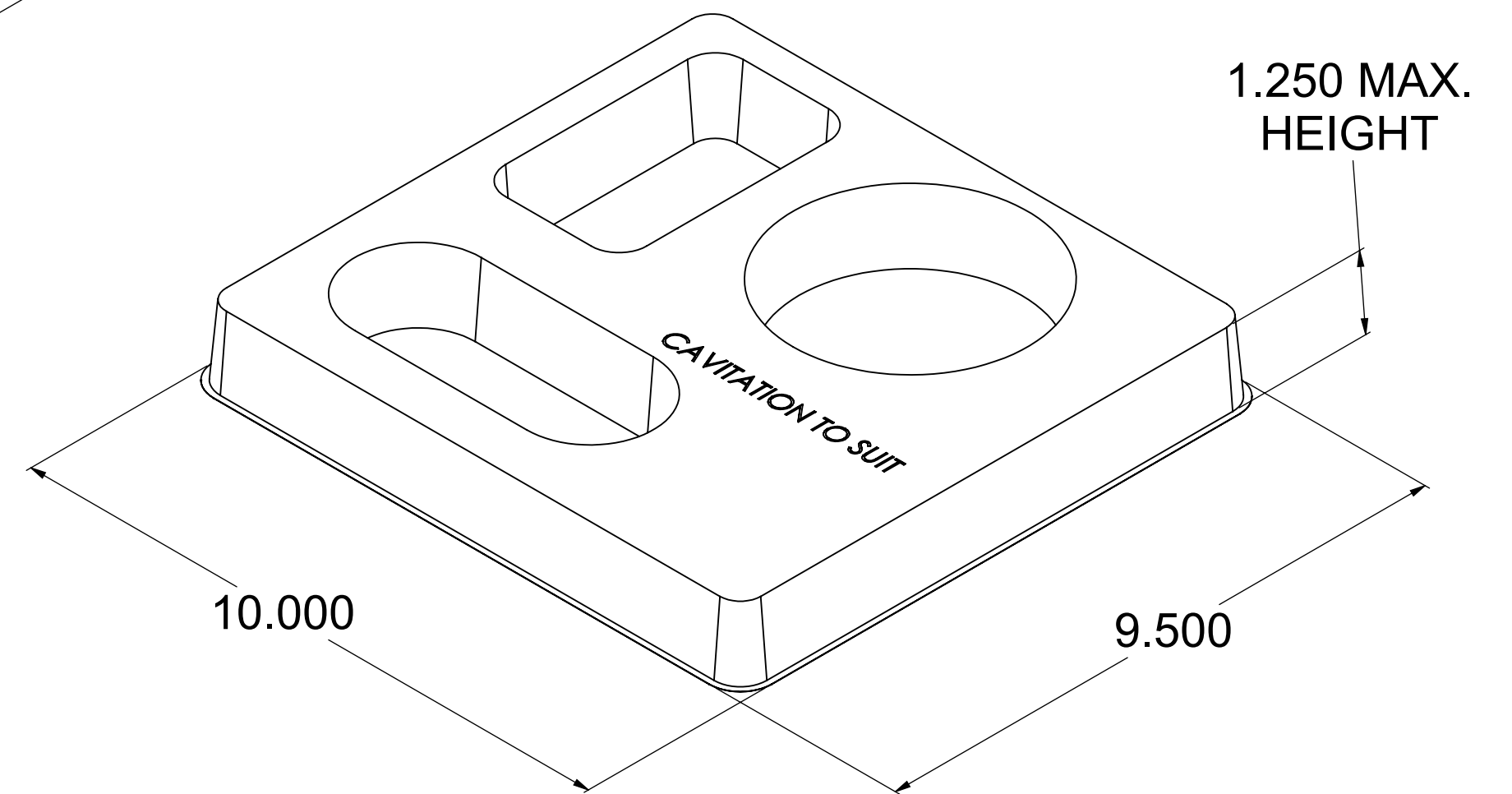
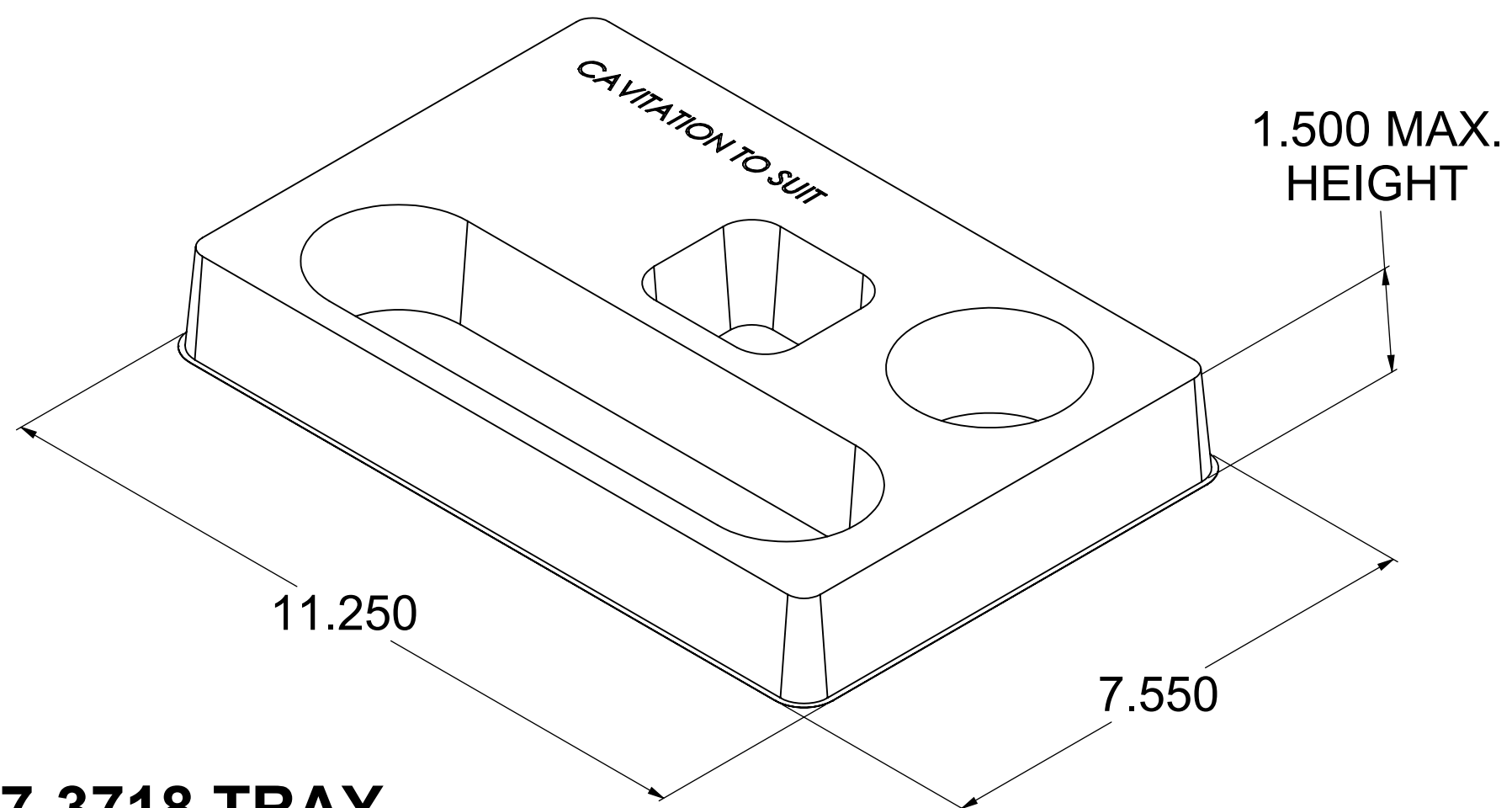


**9-SEGMENT TRAY**



**DOUBLE DECK TRAY**



**3717-3718 TRAY**